

PICHLER KS SYSTEM



**COMFORT
VENTILATION**

 **PICHLER**

Systematic ventilation.

Product description

The hygiene-certified air duct range KomFlex® with a round or oval cross section is enhanced by a newly developed plastics distribution system (KS system) from PICHLER, featuring secondary vents and formwork rings:

- Offering a unique, easy and extremely convenient use
- Providing various mounting options, whether to be used in bricks, concrete, wood or drywall constructions
- Available in two sizes: Ø 100 mm / Ø 125 mm
- Made of food-safe plastic, tested according to EN ISO 846
- The design meets the hygienic requirements of VDI 6022
- Fire behaviour Class E according to EN 13501-1

Overall height

KS secondary vent	95 mm	Implementable wall thickness from 100 mm onwards
KS formwork ring	80 mm	Implementable element ceiling up to 80 mm
KS secondary vent + KS formwork ring	135 mm	Implementable ceiling thickness from 150 mm onwards

KS SECONDARY VENT

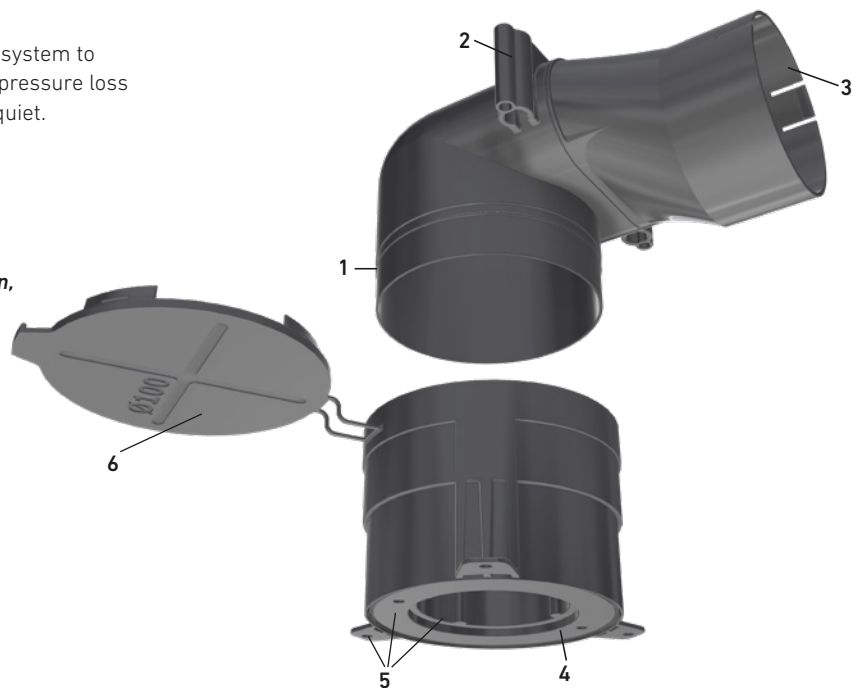
Connecting piece from the KomFlex air duct system to the supply air or extract air valve. Minimum pressure loss thanks to the flow-optimised design. Super quiet.

- 1 Tight connection to the KS formwork ring or KS extension element**
- 2 Mounting option, suitable for M8 or Ø 5 mm**
- 3 KomFlex connection with pull-out protection, connection twistable by 180°**

KS FORMWORK RING

for applications in concrete

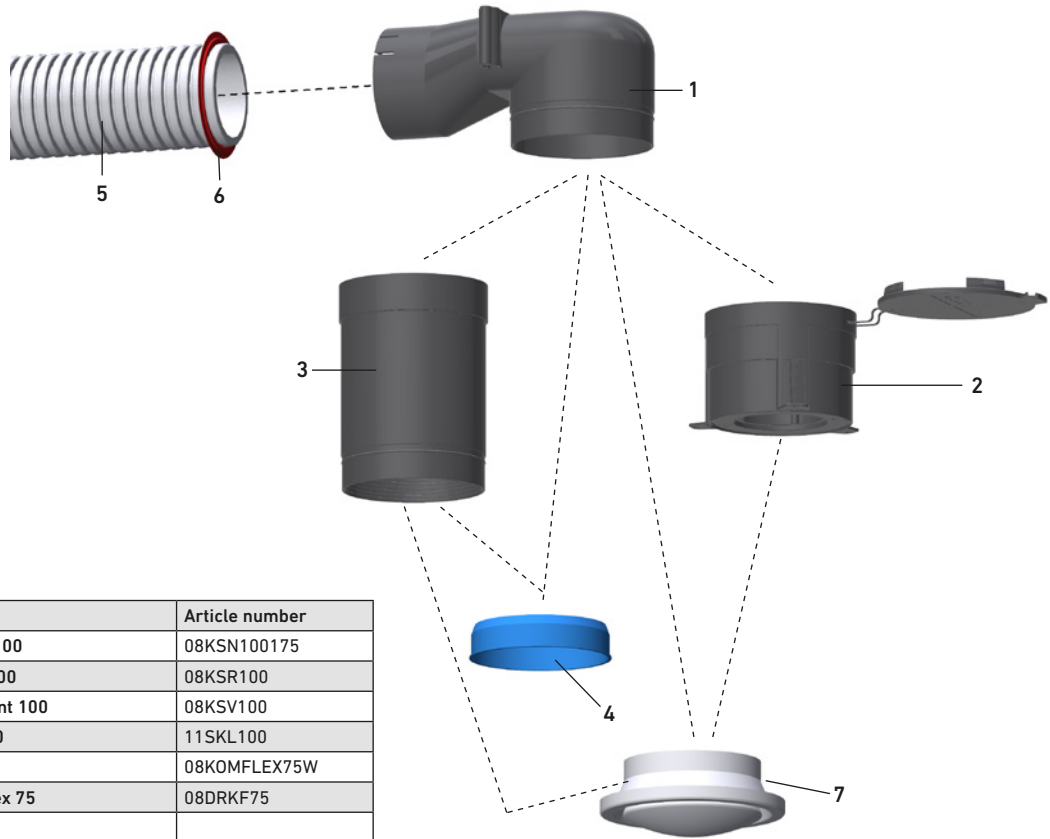
- 4 Well-thought-out design:**
 - Bottom cover can be broken out easily
- 5 Variable mounting options:**
 - Tool magnet holder (KAISER)
 - Adhesive surface
 - External brackets (in-situ concrete)
- 6 Integrated dirt cover, with positioning cross**



After pouring concrete, only a closing edge is visible. No post-treatment required.

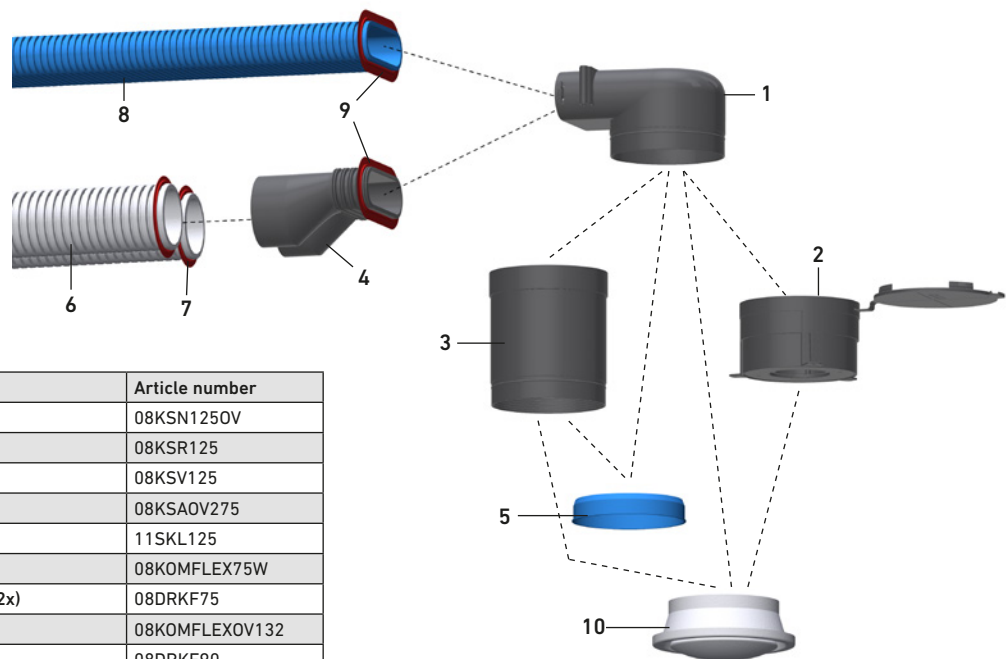


System overview – Ø 100



Item	Article number
1 KS secondary vent 100	08KSN100175
2 KS formwork ring 100	08KSR100
3 KS extension element 100	08KSV100
4 Covering cap NS 100	11SKL100
5 KomFlex pipe 75	08KOMFLEX75W
6 Sealing ring KomFlex 75	08DRKF75
7 Valves Ø 100	

System overview – Ø 125



Item	Article number
1 KS secondary vent 125	08KSN1250V
2 KS formwork ring 125	08KSR125
3 KS extension element 125	08KSV125
4 KS adapter	08KSAOV275
5 Covering cap NS 125	11SKL125
6 KomFlex pipe 75 (2x)	08KOMFLEX75W
7 Sealing ring KomFlex 75 (2x)	08DRKF75
8 KomFlex pipe oval	08KOMFLEXOV132
9 Sealing ring KomFlex 90	08DRKF90
10 Valves Ø 125	

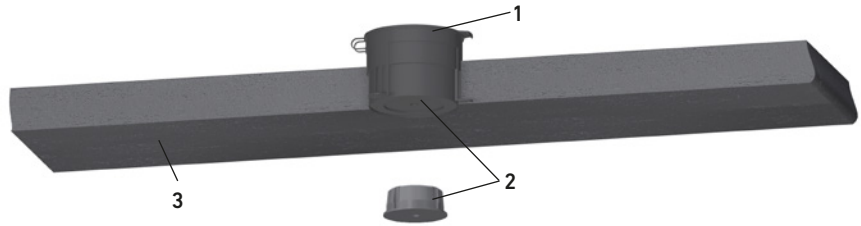


Sample application – concrete ceiling

STEPS TO THE FINISHED CONCRETE CEILING

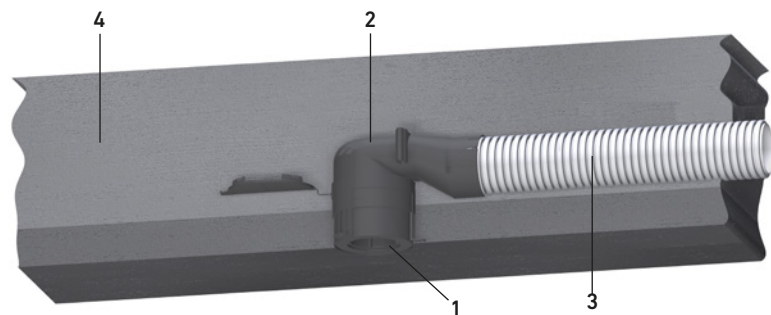
1) ELEMENT CEILING, PREFABRICATED

- 1 KS formwork ring, closed
- 2 Tool magnet (KAISER)
- 3 Element ceiling



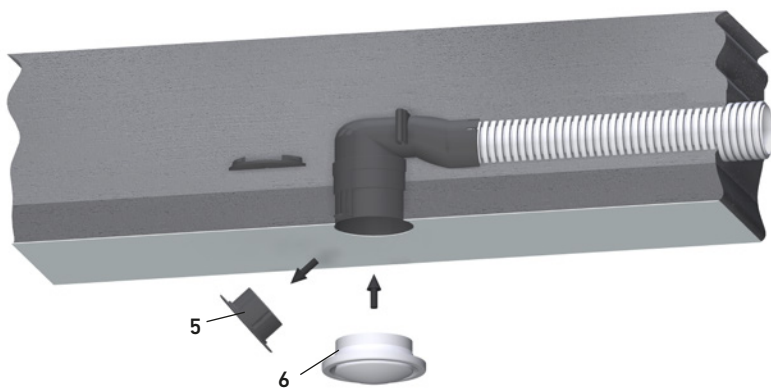
2) IN-SITU CONCRETE

- 1 KS formwork ring, open
- 2 KS secondary vent
- 3 KomFlex tube
- 4 In-situ concrete



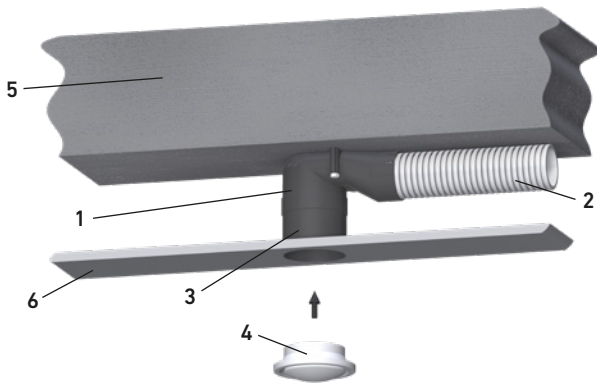
3) VALVE ASSEMBLY

- 5 Broken out cover
- 6 Insertion of valve



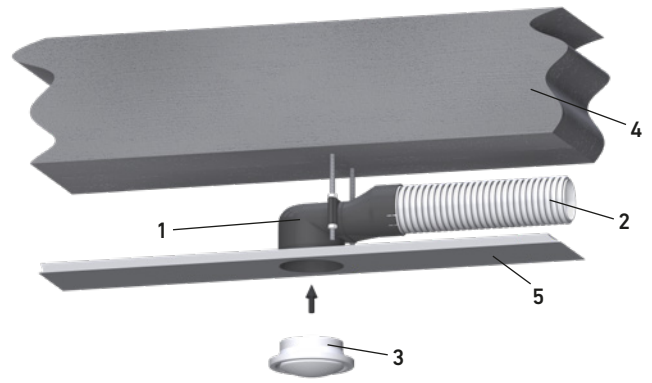
Sample applications – suspended ceiling

1) WITH EXTENSION ELEMENT



- 1 KS secondary vent
- 2 KomFlex tube
- 3 KS extension element (shortened)
- 4 Valve
- 5 Ceiling
- 6 Suspended ceiling

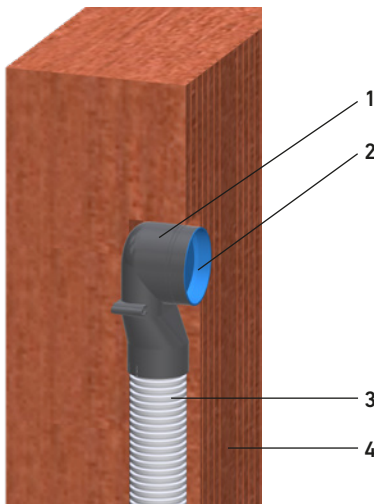
2) WITHOUT EXTENSION ELEMENT



- 1 KS secondary vent
- 2 KomFlex tube
- 3 Valve
- 4 Ceiling
- 5 Suspended ceiling

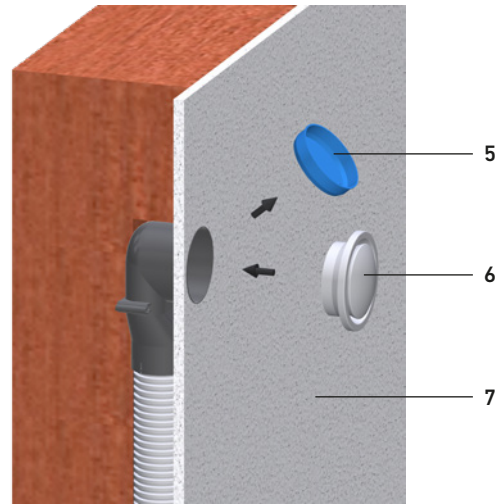
Sample application – brick wall

ROUGH-IN STAGE



- 1 KS secondary vent
- 2 Covering cap
- 3 KomFlex tube
- 4 Brick wall

COMPLETION



- 5 Removal of covering cap
- 6 Insertion of valve
- 7 Plastering



Components

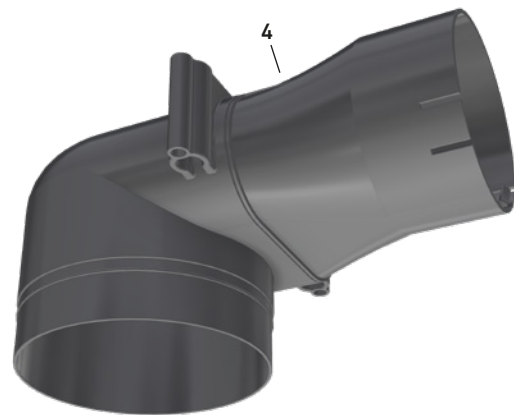
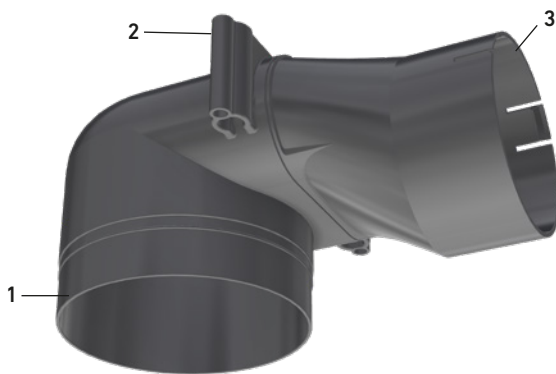
KS secondary vent

The secondary vent is the connecting piece from the KomFlex air duct system to the supply air or extract air valve.

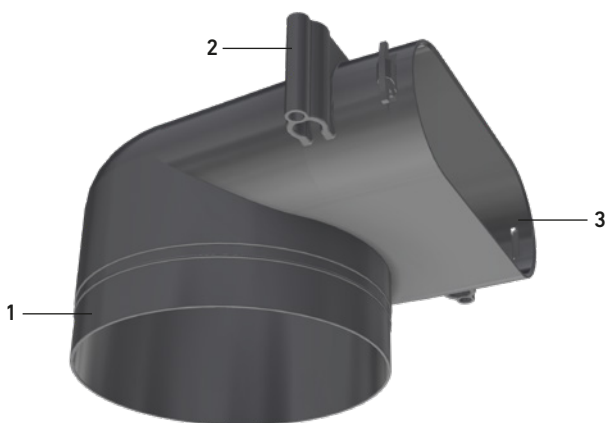
- Various mounting options: brick, wood or drywall construction and in the suspended ceiling
- Optional installation into concrete in combination with the KS formwork ring
- Low overall height of 95 mm (implementable wall thickness from 100 mm onwards)
- Minimum pressure loss thanks to the flow-optimised design. Super quiet.

Item	Article number
KS secondary vent 100 Air connections: 1x Ø 75 mm KomFlex®, 1x Ø 100 mm MF Dimensions W x H x L: 139 x 95 x 201 mm, weight: approx. 0.13 kg	08KSN100175
KS secondary vent 125 Air connections: 1x KomFlex® oval, 1x Ø 125 mm MF Dimensions W x H x L: 174 x 95 x 176 mm, weight: approx. 0.12 kg	08KSN1250V

KS SECONDARY VENT Ø 100



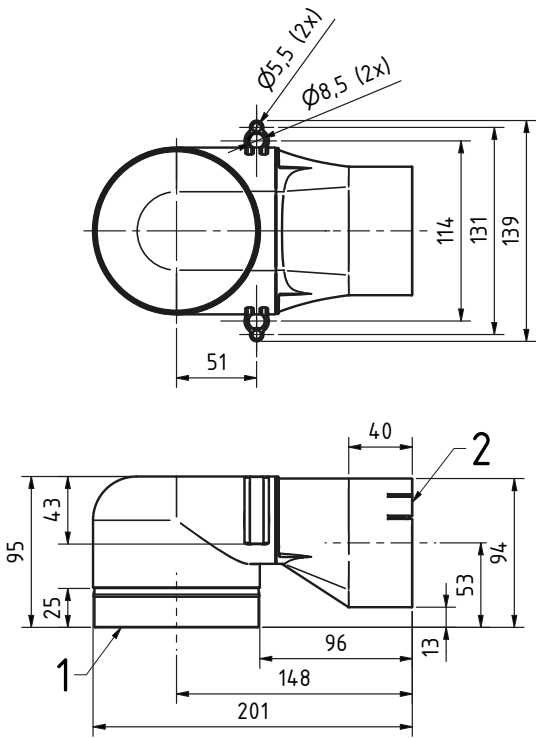
KS SECONDARY VENT Ø 125



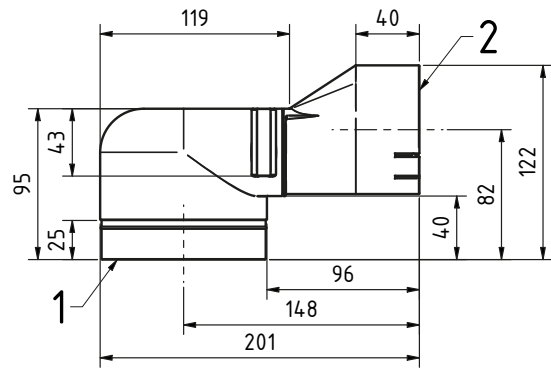
- 1 Tight connection to the KS formwork ring or KS extension element
- 2 Mounting option, suitable for M8 or Ø 5 mm
- 3 KomFlex connection with pull-out protection
- 4 Connection optionally twistable by 180°



KS SECONDARY VENT Ø 100

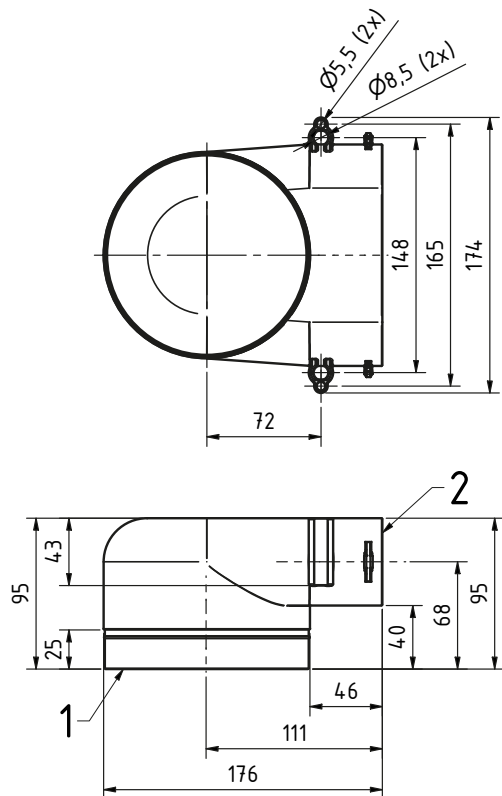


Connection twisted by 180°:



- 1 Internal connection: Ø 100 MF
- External connection: Ø 100 for 08KSR100 (insertion depth 40 mm) or 08KSV100
- 2 Internal connection: KomFlex Ø 75 mm with pull-out protection

KS SECONDARY VENT Ø 125



- 1 Internal connection: Ø 125 MF
- External connection: Ø 125 for 08KSR125 (insertion depth 40 mm) or 08KSV125
- 2 Internal connection: KomFlex oval with pull-out protection



KS formwork ring

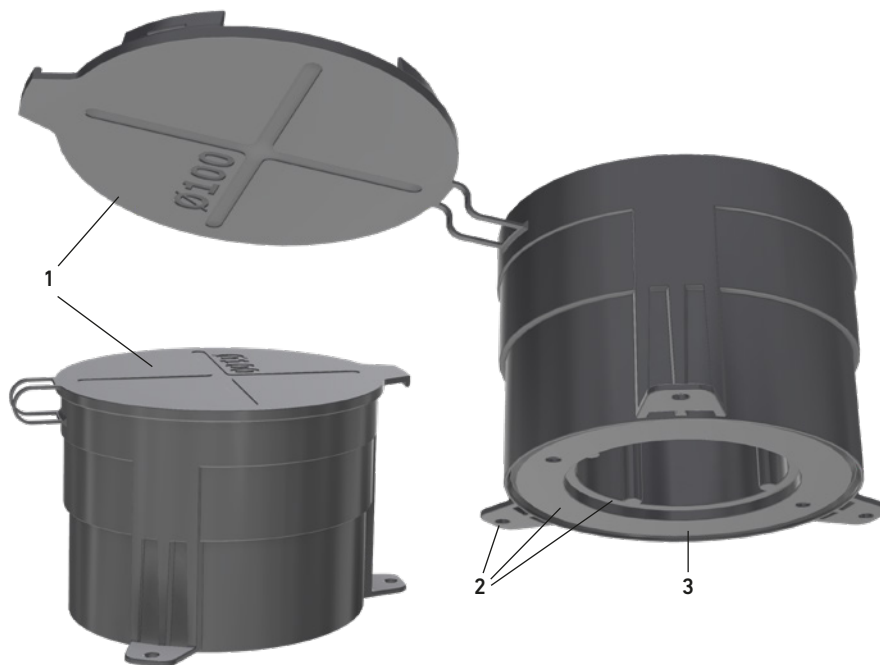
The formwork ring provides the perfect complement for use of the KS system in concrete. It can be fastened to concrete formwork elements in various ways, offers connection options for the secondary vent and valves and is provided with covers on both sides, preventing the ingress of concrete or dirt. It is ideally suited for the installation into ceilings and walls of ready-mixed concrete. Furthermore, it allows for easy use in in-situ concrete.

- The flat dirt cover on the top is provided with a positioning cross for the use with laser positioning systems. The cover can be opened up easily to connect the secondary vent.
- The cover on the bottom side contains a tool magnet holder (KAISER). After the concreting process, it can be easily broken out.

Overall height

KS formwork ring	80 mm	Implementable element ceiling up to 80 mm
KS secondary vent + KS formwork ring	135 mm	Implementable ceiling thickness from 150 mm onwards

Item	Article number
KS formwork ring 100 Air connections: 1x Ø 100 MF, 1x Ø 100 for 08KSN100175 Dimensions D x H: Ø 138 x 80 mm, weight: approx. 0.1 kg	08KSR100
KS formwork ring 125 Air connections: 1x Ø 125 MF, 1x Ø 125 for 08KSN1250V Dimensions D x H: Ø 163 x 80 mm, weight: approx. 0.13 kg	08KSR125



- 1 Integrated dirt cover, with positioning cross**
- 2 Variable fastening options:**
 - Tool magnet holder (KAISER)
 - Adhesive surface
 - External brackets (in-situ concrete)
- 3 Well-thought-out design:**
 - Bottom cover can be broken out easily

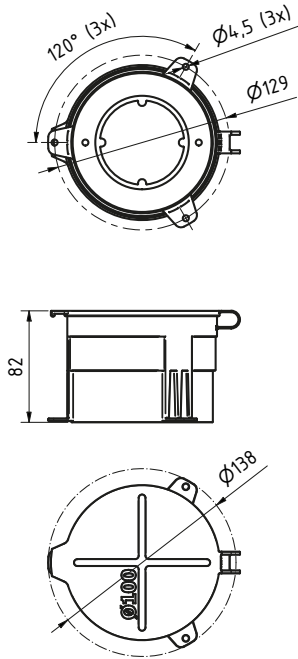


After pouring concrete, only a closing edge is visible. No post-treatment required.

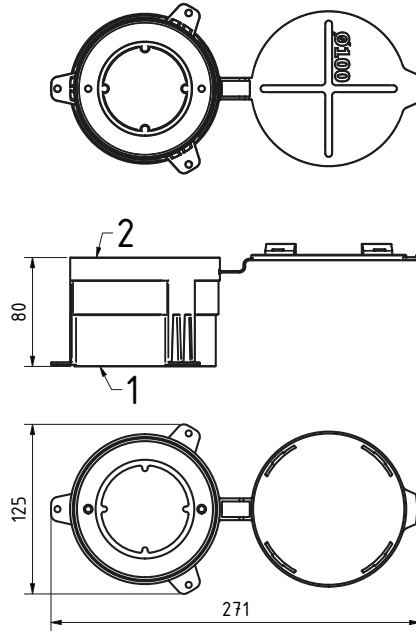


KS FORMWORK RING Ø 100

Cover closed



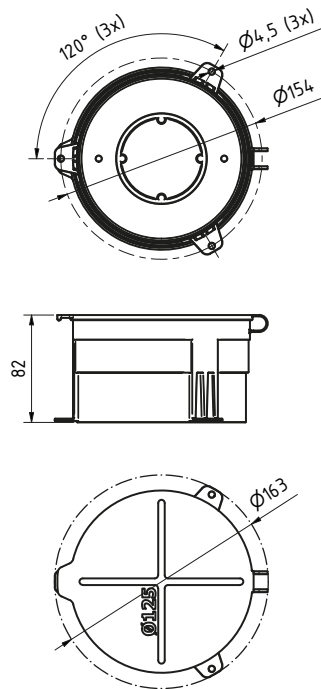
Cover open



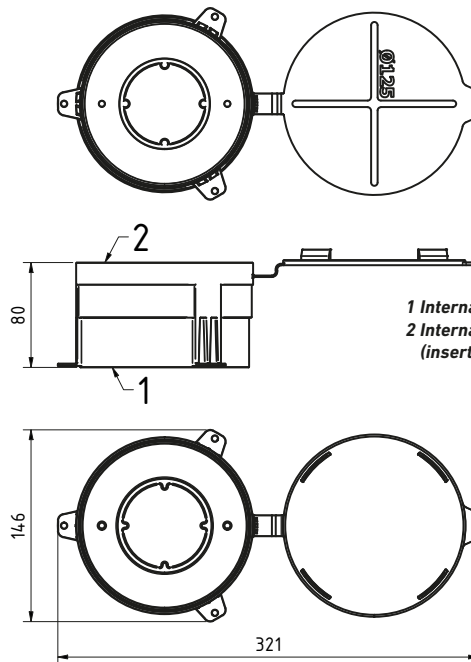
1 Internal connection: Ø 100 MF
 2 Internal connection: Ø 100 for 08KSN100175
 (insertion depth 40 mm)

KS FORMWORK RING Ø 125

Cover closed



Cover open



1 Internal connection: Ø 125 MF
 2 Internal connection: Ø 125 for 08KSN1250V
 (insertion depth 40 mm)



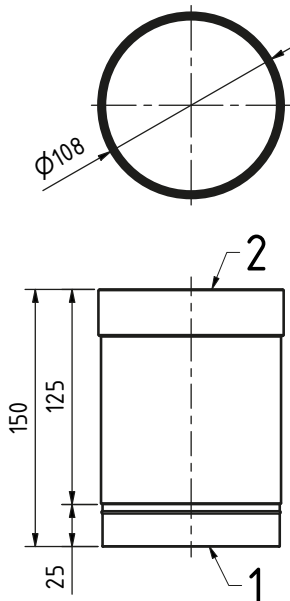
KS extension element

The extension element is used for bridging variable spaces in suspended ceilings or drywall constructions. The extension element can be used to extend the air duct by up to 125 mm, if required, several extension elements can also be connected in succession.

Item	Article number
KS extension element 100 Air connections: 1x Ø 100 MF, 1x Ø 100 for 08KSN100175 Dimensions D x L: Ø 108 x 150 mm, weight: approx. 0.09 kg	08KSV100
KS extension element 125 Air connections: 1x Ø 125 MF, 1x Ø 125 for 08KSN1250V Dimensions D x L: Ø 133 x 150 mm, weight: approx. 0.11 kg	08KSV125

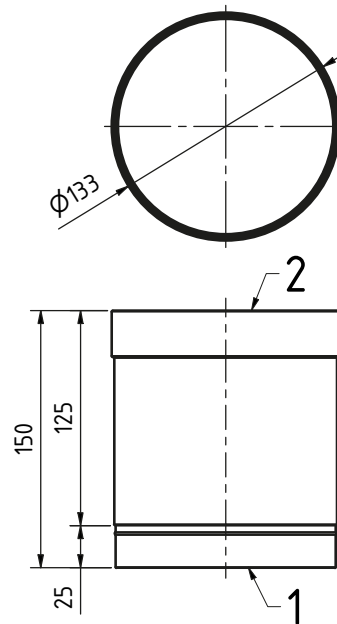


KS EXTENSION ELEMENT Ø 100



1 Internal connection: Ø 100 MF
 External connection: Ø 100 for 08KSV100
 2 Internal connection: Ø 100 for 08KSN100175

KS EXTENSION ELEMENT Ø 125



1 Internal connection: Ø 125 MF
 External connection: Ø 125 for 08KSV125
 2 Internal connection: Ø 125 for 08KSN1250V

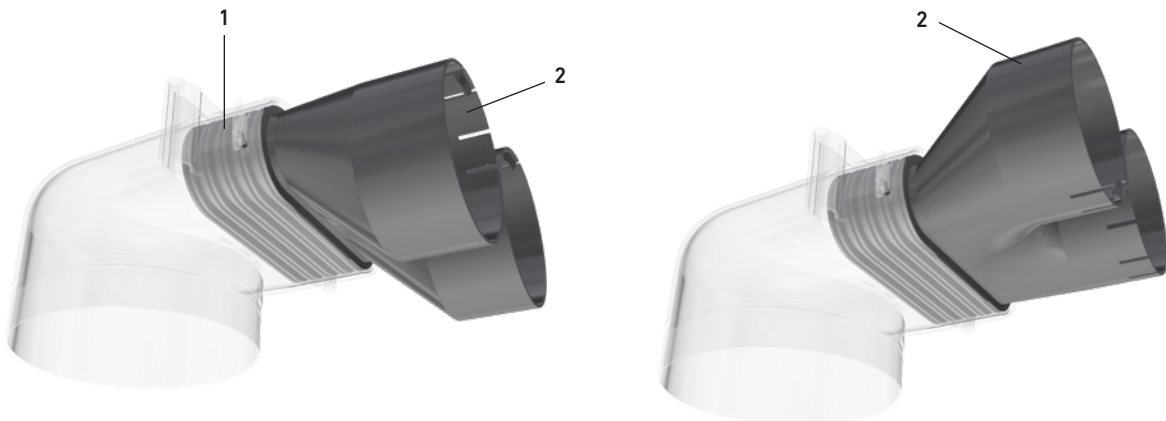


KS adapter

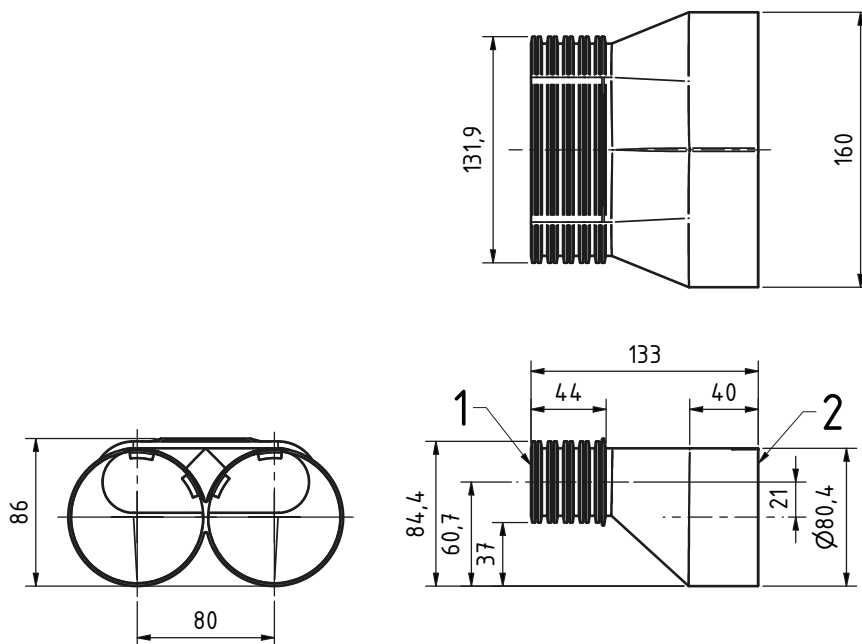
The adapter is used for connecting an oval KomFlex connection to two round KomFlex 75 pipes. It can also be used in combination with the KS secondary vent 125 (08KSN125OV).

- Super quiet and minimum pressure loss thanks to a flow-optimised design

Item	Article number
KS adapter KomFlex Air connections: 1x KomFlex oval, 2x KomFlex 75 Dimensions W x H x L: 160 x 86 x 133 mm, weight: approx. 0.1 kg	08KSAOV275



1 KomFlex connection with pull-out protection
 2 Connection optionally twistable by 180°



1 External connection: 1x KomFlex oval
 2 Internal connection: 2x KomFlex Ø 75 mm with pull-out protection





Your partner/installer:



Responsible for the content: J. Pichler Gesellschaft m.b.H. | Graphics and layout: WERK1
 Photos: J. Pichler Gesellschaft m.b.H. | Text: J. Pichler Gesellschaft m.b.H.
 All rights reserved | All photos are symbolic photos | Subject to change without notice | Version: 03/2024 en/p

PICHLER
 Systematic ventilation.

J. PICHLER
 Gesellschaft m.b.H.
 office@pichlerluft.at
 www.pichlerluft.at

AUSTRIA
 9021 KLAGENFURT
 AM WÖRTHERSEE
 Karlweg 5
 T +43 (0)463 32769
 F +43 (0)463 37548

AUSTRIA
 1100 WIEN
 Doerenkampgasse 5
 T +43 (0)1 6880988
 F +43 (0)1 6880988-13

Sales offices in Germany,
 Slovenia and Serbia.
 Sales partners in Europe.